

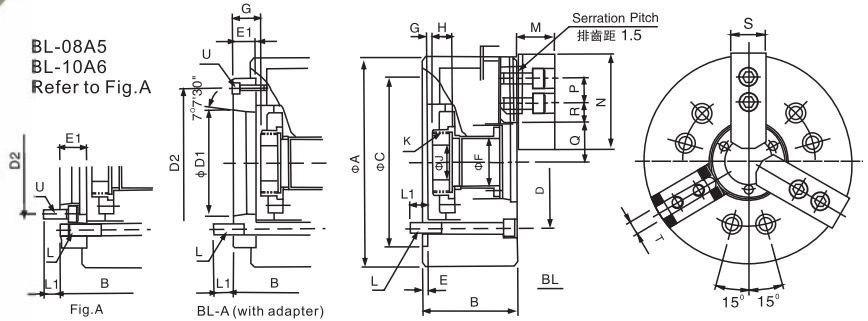
# ➤ BL SERIES

## 超長爪行程動力夾頭 (三爪高速中空型)

## 3-JAW EXTRA LONG JAW STROKE THOUGH HOLE POWER CHUCK



- 曲柄型三爪超大貫通孔徑，超長爪行程。
- 摺動面均經硬化及精密研磨，并直接潤滑。
- 安裝連結方式與中空夾頭一樣，且可與之相容互換，不必更改拉杆。
- 高剛性結構及高夾持精度。
- It's a CRANK type 3-jaw with the large through-hole, and extra long jaw stroke.
- Matching surfaces of all parts hardened, ground and lubricated directly.
- Construction of high rigidity and high clamping accuracy.
- The installation is the same as "Through-hole power chuck" and they are replaceable with each other. No need to change the "Draw tube".



BL-08A5  
BL-10A6  
Refer to Fig. A

Fig. A

BL-A (with adapter)

規格 Spec 型號 Model	楔心行程 Plunger stroke (mm)	爪行程(直徑) Jaw stroke (Dia.) (mm)	夾持直徑 chucking Dia.(mm)		容許油壓缸推力 Max.D.B.Pull KN(kgf)	最大夾持力 Max clamping force KN(kgf)	最高回轉速 max r.p.m	慣性矩 kg·m <sup>2</sup>	重量 (kg) Weight		適合油壓缸 Matched cylinders
			最大Max	最小Min							
BL-05 A4	12	18	135	6	15.6(1590)	17.2(1750)	4200	0.019	7.2	8.0	H-1036
BL-06 A5	15	24	170	18	23.5(2400)	26.0(2650)	3600	0.063	13	14.8	H-1246
BL-08 A6	20	32	215	25	34.3(3500)	35.0(4150)	3000	0.175	23	25.9	H-1552
									24.1		
BL-10 A8	25	37.5	260	47	47.7(4870)	61.0(5700)	2400	0.347	38	45	H-1875
									43.5		
BL-12 A8	30	45	315	54	64.7(6600)	68.0(7650)	2100	0.827	62	67.5	H-2091
BL-15 A11	35	52	385	50	84.3(8600)	68.0(6930)	1600	2.58	136	143	H-2511

寸法 Size 型號 Model	A	B	C(H6)	D	D1	D2	E	E1	F	Gmax		Gmin		H	J	
BL-05 A4	135	65	76	110	82.6	63.51	96	4	15	32	1	16	-11	4	20	12
BL-06 A5	168	84	97	140	104.8	82.56	116	18	42	6.5	24.5	-8.5	9.5	19	20	
BL-08 A6	210	96	118	170	133.4	106.38	150	5	23	48	7	34	14	20	30	
			30									10				
BL-10 A8	254	110	130	220	171.5	139.72	190	5	25	70	8	33	8	25	45	
			26									1				
BL-12 A8	304	127	140	220	171.5				18	91	15	33	-15	3	28	50
BL-15 A11	385	150	166	300	235	196.87	260	6	22	120	12.5	34.5	-22.5	-0.5	39	60

寸法 Size 型號 Model	K max	L	L1	M	N	P	Q max	Q min	R max	R min	S	T	U	
														BL-05 A4
BL-06 A5	M55x2	6-M10	18	15	37	73	20	25.7	13.75	39	27	31	12	3-M6
BL-08 A6	M60x2	6-M12	18	19	38	95	25	28.25	16.25	49.25	33.25	35	14	6-M10
			18	20										
BL-10 A8	M85x2	6-M16	22	20	43	110	30	35.25	17.25	64.25	45.25	40	16	6-M12
			22	25										
BL-12 A8	M100x2		20	19	51	130		46.25	19.25	77	54.5	50	21	6-M8
BL-15 A11	M130x2	6-M20	33	31	63	165	43	51.25	27.25	94.25	68.25	62	25.5	3-M10

\* 保留技術更改的權利，恕不另行通知 Subject to technology changes without prior information  
\* 非標需求可訂做 Non-standard requirements can be made